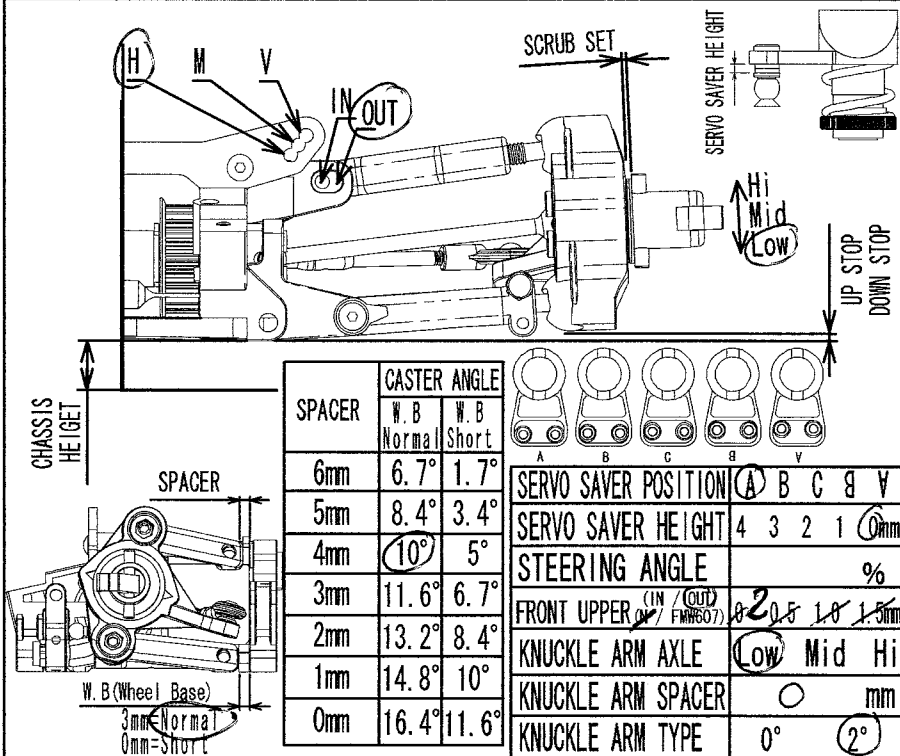


# EVOLVA M3

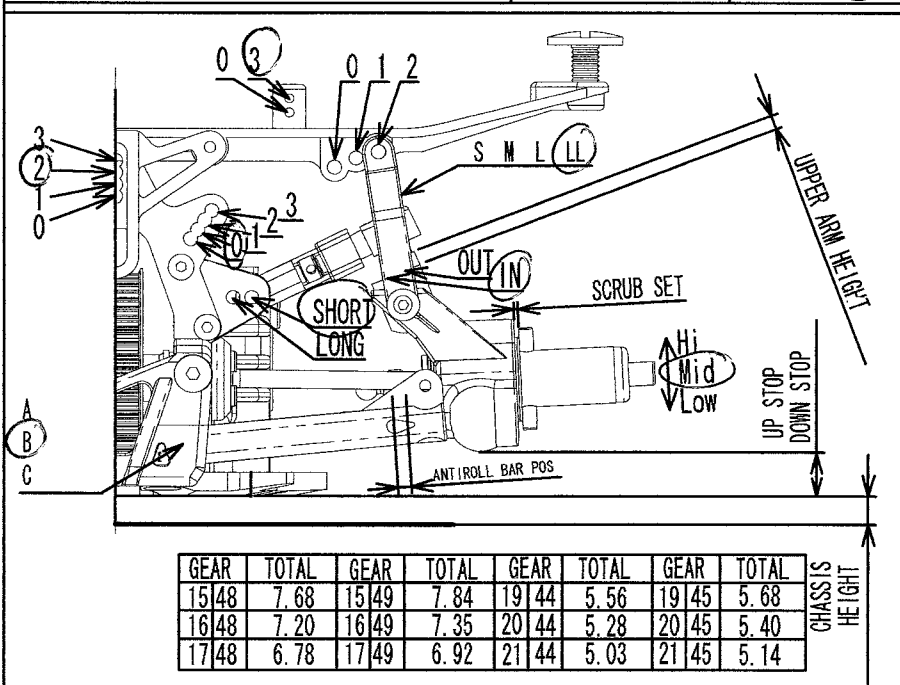
## SETTING DATA SHEET Ver 2.00

NAME	RiccoBono	TEMP	°C	ENGINE	Picco Evo3	MUFFLER	2033
DATE		HUMIDITY	%	HEAD CLEARANCE	mm	FUEL TYPE	JP FUEL
TRACK		TRACTION	%	PLUG No.		RADIO	KO EXA-UR



SPACER	CASTER ANGLE	
	W.B Normal	W.B Short
6mm	6.7°	1.7°
5mm	8.4°	3.4°
4mm	10°	5°
3mm	11.6°	6.7°
2mm	13.2°	8.4°
1mm	14.8°	10°
0mm	16.4°	11.6°

SHOCK OIL	300 350 400 450 (500) 550 600
DIAPHRAGM	(N)
SHOCK PISTON	(N)
SPRING	1.8 1.9 2.0 BLANC
SPRING ADJUSTER	mm
SHOCK POS	(H) M V
SCRUB SET	0.5 (1.0) 1.5 2.0
CASTER ANGLE / W.B	10° (Normal) Short
CAMBER ANGLE OG/1G	L: 0 0.5 1 (1.5) 2 2.5 3 R: 0 0.5 (1) 1.5 2 2.5 3
TOE ANGLE	+1°
FRONT WIDTH OG (1G)	252 mm
UP STOP	mm
DOWN STOP	+2 mm
ANTIROLL BAR	VZ084 VZ084S
TIRE HARDNESS	32 (35) 37 40
TIRE TYPE	PMT
TIRE DIAMETER	φ 68 mm
CHASSIS HEIGHT	6,5 (BLANC HUB 4 ALU) mm



GEAR	TOTAL	GEAR	TOTAL	GEAR	TOTAL	GEAR	TOTAL
15/48	7.68	15/49	7.84	19/44	5.56	19/45	5.68
16/48	7.20	16/49	7.35	20/44	5.28	20/45	5.40
17/48	6.78	17/49	6.92	21/44	5.03	21/45	5.14

SHOCK OIL	400 450 (500) 550 600 700 800
DIAPHRAGM	(N)
SHOCK PISTON	(N)
SPRING	1.8 1.9 2.0 BLANC
SPRING ADJUSTER	mm
SHOCK POS	(0) 1 2 3
SCRUB SET	0.5 (1.0) 1.5 2.0
UPPER ARM	LONG/SHORT (N/OUT) 2 mm
CAMBER ANGLE OG/1G	L: 0.5 1 1.5 2 (2.5) 3 3.5 R: 0.5 1 1.5 2 (2.5) 3 3.5
TOE ANGLE	-2,5°
REAR WIDTH OG (1G)	262 mm
UP STOP	mm
DOWN STOP	+8 mm
ANTIROLL BAR / POS	/ ⊖ mm
TIRE HARDNESS	32 (35) 37 40
TIRE TYPE	PMT
TIRE DIAMETER	φ 75 mm
CHASSIS HEIGHT	7,5 (BLANC HUB 4 ALU) mm

CLUTCH TYPE	2D (3D) 4D	PINION GEAR	15 (16) 17 / 19 (20) 21
CLUTCH SHOE	BLACK RED (GREY)	SPUR GEAR	(48) 49 / 44 45 (SOLVANT RICOBONO)
CENTRIFUGAL SHOE	(N)	DRIVE RATIO	7mm Difference 26/18 (420 BELT)
CLUTCH SPRING	origine	CENTER POST POSITION	0 / 1 / (2) / 3
CLEARANCE	0.6 mm	BODY MOUNT ANGLE	0 / 1 / (2)
ADJ. NUT	1-3 mm	BODY MOUNT HEIGHT	S/M/L (LL) 0 (3)
F-ONEWAY POS	(UP) / DOWN	FRONT CARBON	USE / NOT USE
BATTERY PLATE	(N) / CARBON / STAINLESS	SIDE CARBON	USE / NOT USE

SUS HOLDER	A / (B) / C
REAR HUB AXLE	Low / (Mid) / Hi
REAR WHEEL BASE	SHORT (LONG)
BODY	ZYTEC
BODY POSITION	15 (COTE PARECHOC) mm
REAR SPOILER	7 mm

MEMO